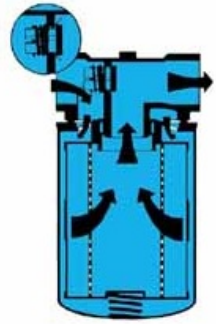
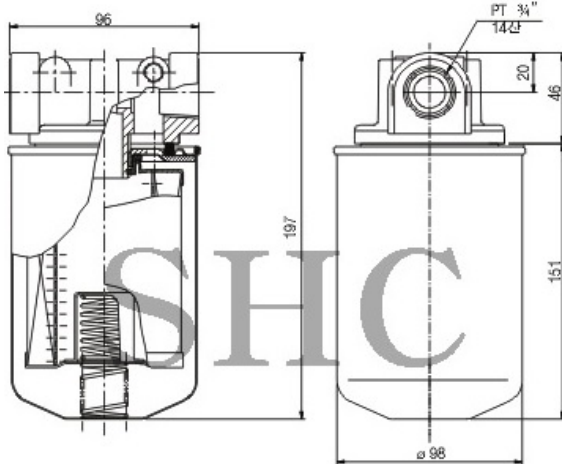
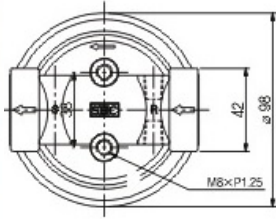


Oil Filter

SH-MX-1518



► Application: SH-MX-1518

■ Specification of Oil Filter (SHRE-C08-25U)

- Max. Operating Pressure: 5 Bar
- Flow rate used : 70Liter/min
- Thread: PT3/4"
- Fiteration rating: **25 micron**
- Spin-on element provides quick and easy
- Suitable for all mineral and petroleum based fluids
- Element Exchange Pressure: Below than 1.3Bar
- Country of Origin: Korea